



MANUAL – INSTALLATION + SERVICE

Quarter Round 90° Displacement Diffuser

DR90 Series

v100 – Issue Date: 12/13/16

© 2016 Price Industries Limited. All rights reserved.

PRICE[®]

QUARTER ROUND 90° DISPLACEMENT DIFFUSER

INSTALLATION INSTRUCTIONS

DR90 with Duct Cover Installation

1. Remove trim cover (Item 4) by putting finger in opening (Detail C) at top or bottom and pull slowly to prevent bending of trim piece. Keep close for use in final step of installation.
2. Mounting angles are shipped attached to the diffuser. Remove two screws holding the mounting angle to corner extrusion (Detail B).
3. Locate and install 1" x 1" x .100" mounting angles to the wall in desired location. The mounting angles shall be installed perpendicular to the floor as per Figure 1 and spaced apart as per dimension given in Table 2. Failure to position angles upright and perpendicular to the floor will result in poor installation. Fasteners supplied by others. All mounting angles can be installed at same time (Figure 1A).
4. Install diffuser (Item 2) over the mounting angles so that the back of the diffuser is flush with the wall (Figure 3, 4, & 5). Fasten diffuser to mounting angles with screws (Item 5). Use minimum 2 screws per side of diffuser.
5. Install duct as required.
6. Install duct cover mounting angle in line with the diffuser mounting angle. Install duct cover (Item 3) as described in step 4.
7. Tap cover (Item 4) into place with rubber mallet or neoprene hammer. Care should be taken not to mark/damage trim cover, diffuser or surrounding wall.

See Table 3 for inlet locations

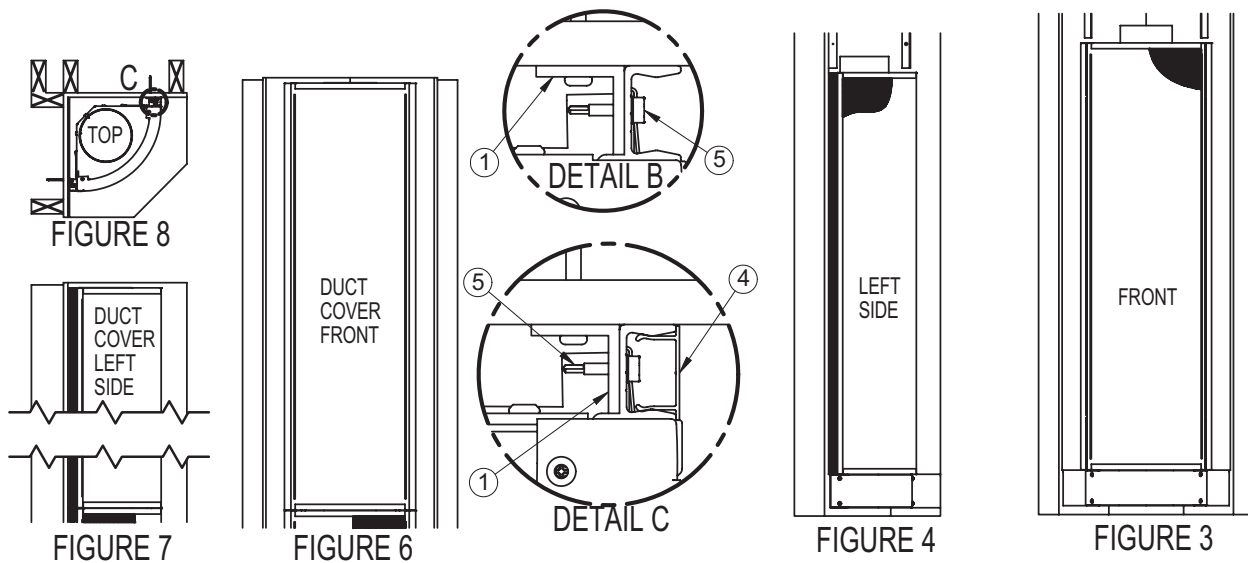
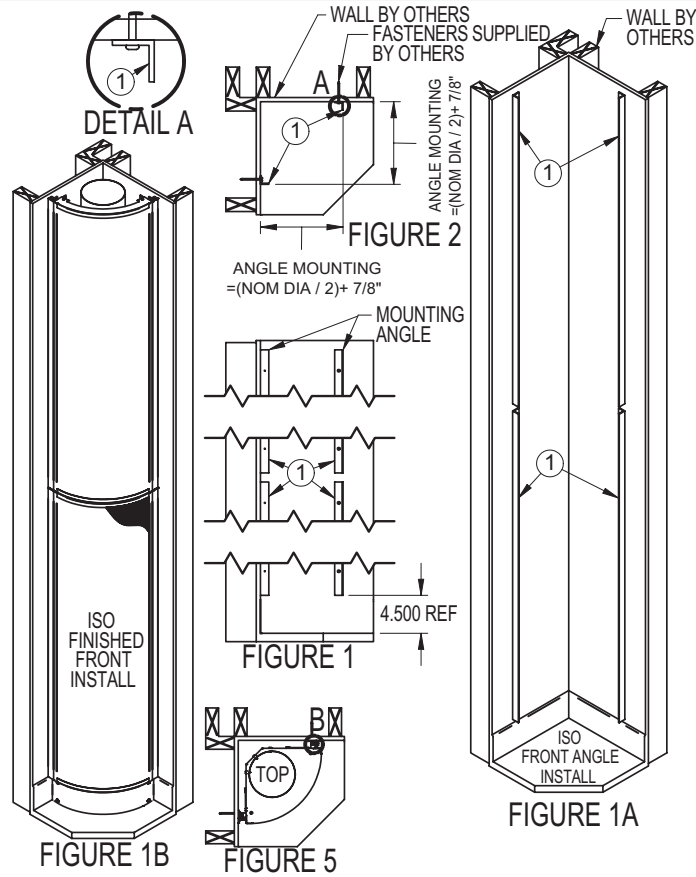
Item #	Description	Note
1	Mounting Angle x 2	Attached to Diffuser & DC for shipping
2	DR90 Diffuser x 1	
3	DR90 Duct Cover (DC)	1 unit up to 60"/multiple units over 60"
4	Cover Trim x 2	Attached to Diffuser & DC for shipping
5	Screws	Attached to Diffuser & DC for shipping

NOM DIA	Distance from corner
18	9 7/8"
24	12 7/8"
30	15 7/8"
36	18 7/8"
42	21 7/8"
48	24 7/8"
Other	(NOM DIA/2) + 7/8"

QUARTER ROUND 90° DISPLACEMENT DIFFUSER

INSTALLATION INSTRUCTIONS

FIGURES 1 - 8 ▼



QUARTER ROUND 90° DISPLACEMENT DIFFUSER

INSTALLATION INSTRUCTIONS

DR90 with No Duct Cover Installation

1. Remove trim cover (Item 4) by putting finger in opening (Section E-E) at bottom and pulling slowly to prevent bending of trim piece. Keep close for use in final step of installation.
2. Mounting angles are shipped attached to the diffuser. Remove two screws holding the mounting angle to corner extrusion (Section E-E).
3. Locate and install 1" x 1" x .100" mounting angles to the wall in desired location. The mounting angles shall be installed perpendicular to the floor as per Figure 10 and spaced apart as per dimension given in Table 2. Failure to position angles upright and perpendicular to the floor will result in poor installation. Fasteners supplied by others.
4. Attach duct to diffuser inlet.
5. Install diffuser (Item 2) over the mounting angles so that the back of the diffuser is flush with the wall (Figure 13 & 14). Fasten diffuser to mounted angles with screws (Item 5). Use minimum 2 screws per side of diffuser. Base cover may need to be removed to access duct for bottom ducted units if one was supplied.
6. Tap trim cover into place with rubber mallet or neoprene hammer. Care should be taken not to mark/damage trim cover, diffuser or surrounding wall.

Inlet Location	Tolerance +/-1/16"
Top	1 3/8" from both walls in corner
Bottom	1 3/8" from both walls in corner

QUARTER ROUND 90° DISPLACEMENT DIFFUSER

INSTALLATION INSTRUCTIONS

FIGURES 10 - 14 / SECTION E-E ▼



Detail D

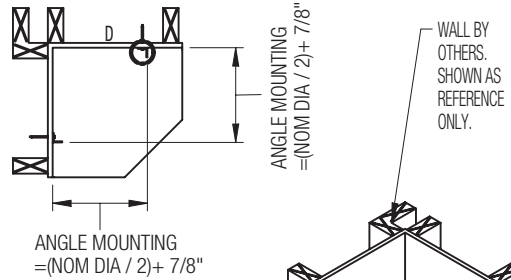


Figure 11

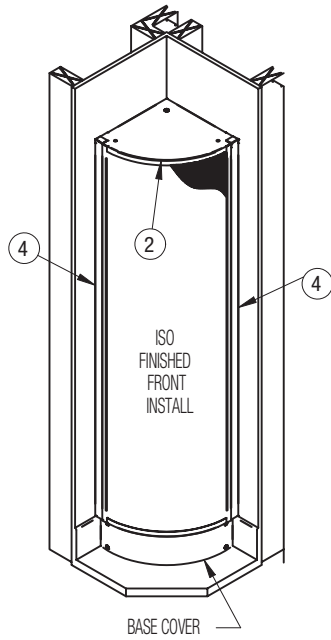


Figure 13B

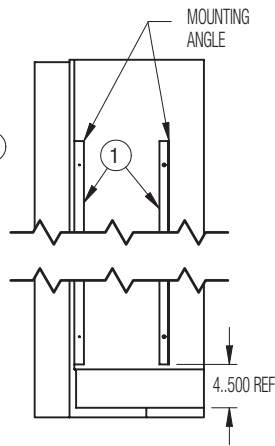


Figure 10

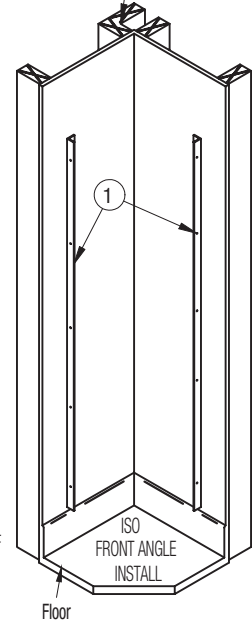


Figure 10A

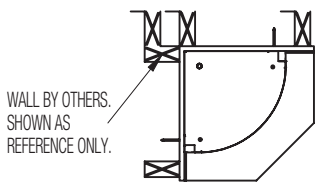
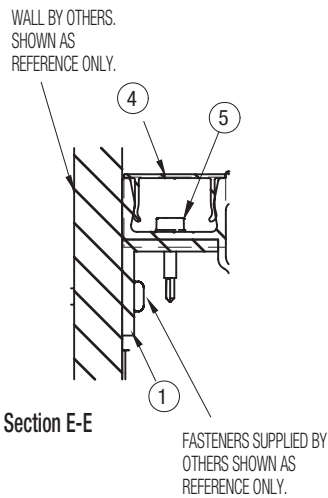


Figure 14



Section E-E

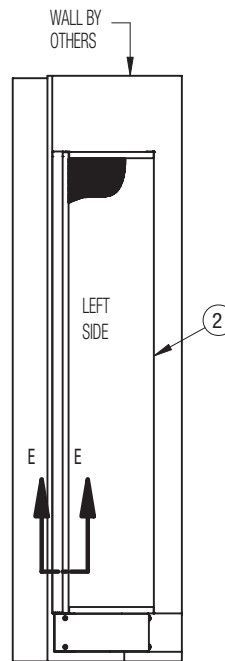


Figure 12

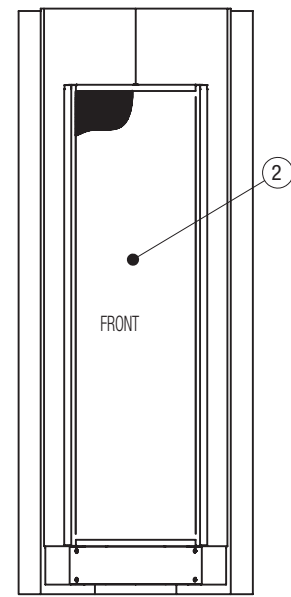


Figure 13

This document contains the most current product information as of this printing.
For the most up-to-date product information, please go to priceindustries.com.

© 2016 Price Industries Limited. All rights reserved.

PRICE[®]